

ET-PWR 24 TO XX-DIN

ET-PWR 24 TO XX-DIN is Switching Regulator POWER SUPPLY as Step-Down Voltage Regulator that can supply the maximum Current at 3A; moreover, Board can be fastened with Rail DIN 35mm.

SPECIFICATIONS OF BOARD ET-MINI PWR5/ADJ-3A

- Use IC Step-Down Voltage Regulator No.LM2576
- Provide the maximum Current at 3A
- Pin INPUT can receive Voltage in the range of 7-24VDC (Voltage on the side of Pin INPUT must be higher than Pin Output at least 2VDC)
- Voltage on the side of Pin OUTPUT is fixed at 5VDC for the model 5V and fixed at 12VDC for the model 12V
- Connector on the side of PIN INPUT (VIN) and PIN OUTPUT (VOUT) is TERMINAL SCREW TYPE
- Can be fastened with RAIL DIN 35 mm
- PCB Size: 5.8 x 6.6 cm.

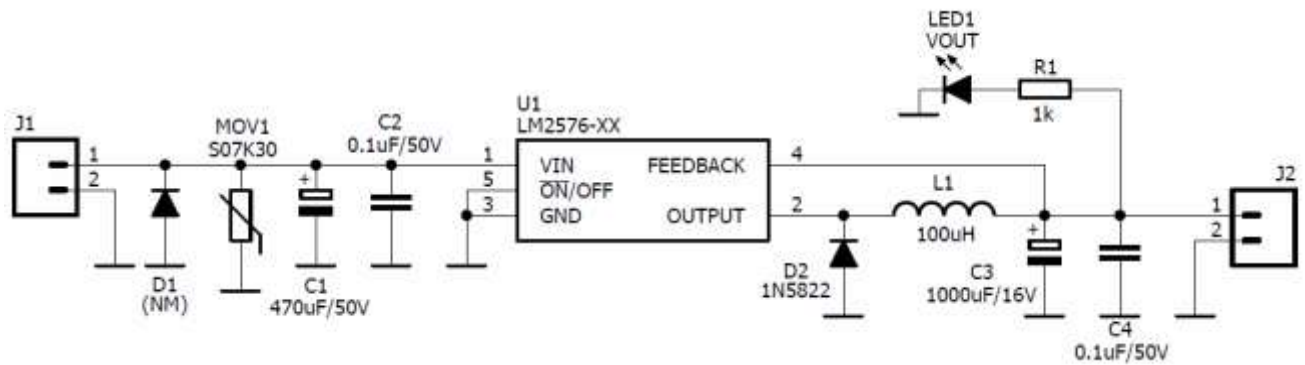


Figure shows Circuit of Board ET-PWR 24 TO XX-DIN.