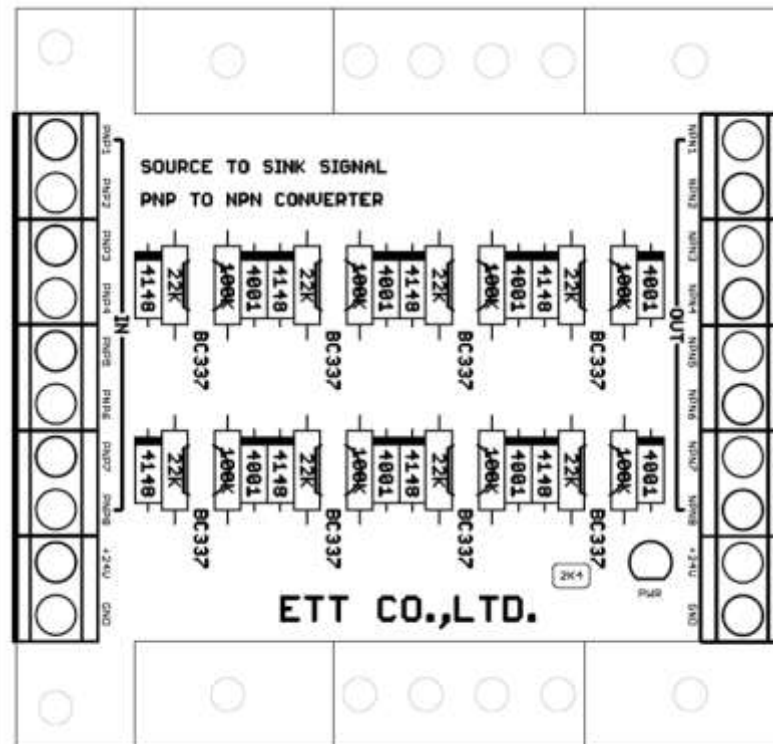


ET-PNP TO NPN CONVERTER (SOURCE TO SINK)

This 8-CH Board converts Signal OUTPUT from PNP to NPN; it converts signal of Sensor Encoder Device and PLC that has different signal, and finally, they can work together.



SPECIFICATIONS

- Have 8-CH; receive Signal INPUT PNP(SOURCE) and then convert to NPN(SINK)
- INPUT runs at 2V and stops running at 1V(ON > 2V, OFF < 1V)
- Drive the maximum Current NPN (SINK) at 800mA
- Have Circuit Protection for both INPUT/OUTPUT against reverse of signal connection
- Receive Signal INPUT in the range of 10V-40V (recommended 24V)
- Have LED to display status of POWER SUPPLY
- Install Base to mount on DIN RAIL
- Board size: 7cm X 7.3cm.

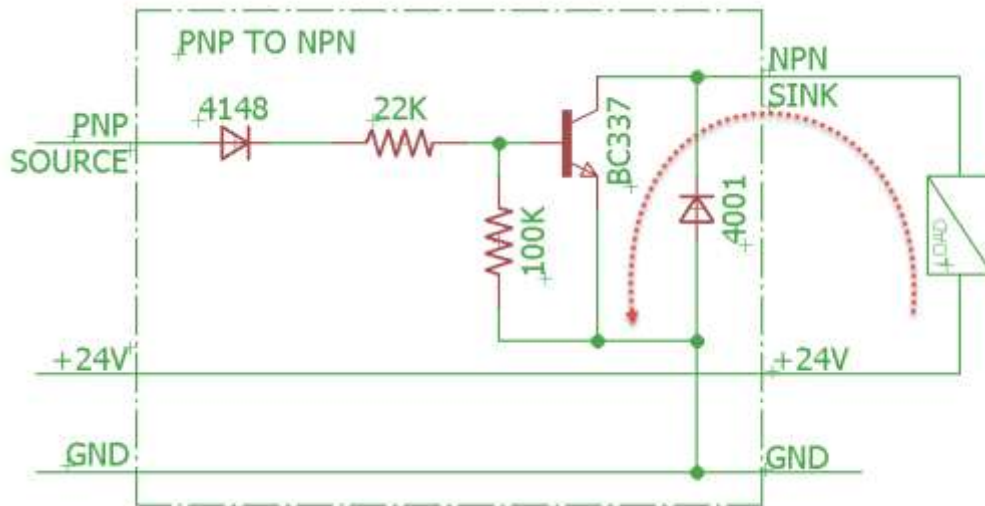


Figure shows internal of 1-CH Circuit of Board ET-PNP TO NPN.

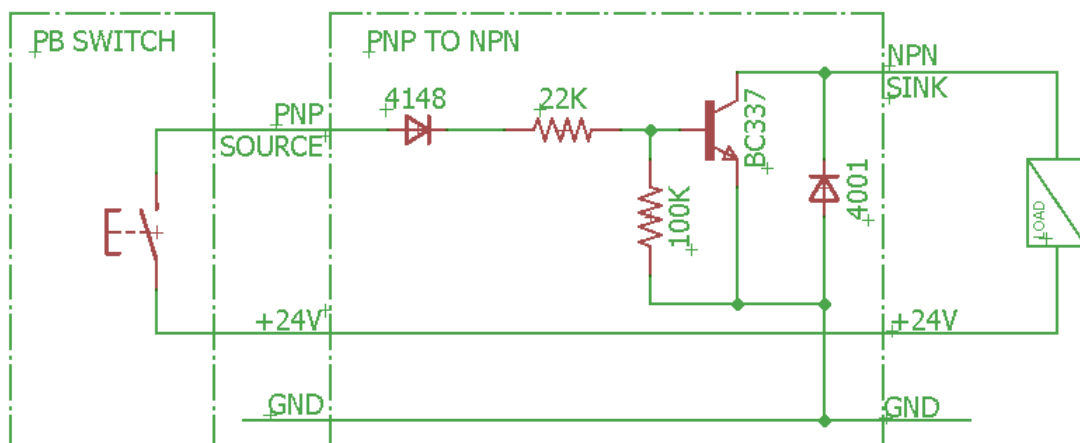
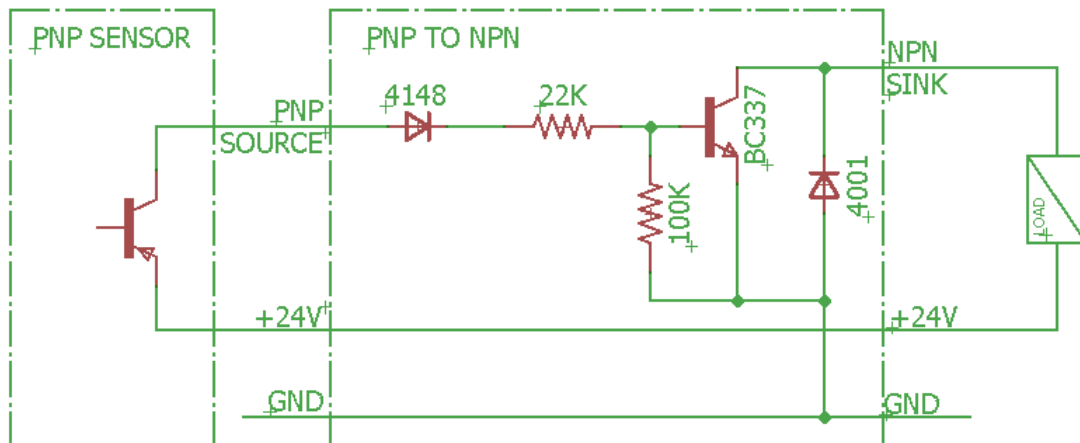


Figure illustrates an example of using and connecting Board ET-PNP TO NPN.