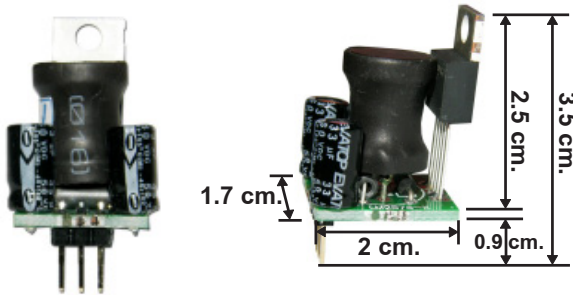


ET-LM2575-5 (P-ET-A-00147)**ET-LM2575-12** (P-ET-A-00148)**ET-LM2575-3.3** (P-ET-A-00443)

ET-LM2575-5, ET-LM2575-12, ET-LM2575-3.3 are STEP-DOWN VOLTAGE REGULATOR CIRCUIT is designed for replacing IC LM78005 and LM7812. The good point of them are low heat

**ET-LM2575-5**

INPUT VOLTAGE : 7 - 40VDC OUTPUT : 5VDC/1A

ET-LM2575-12

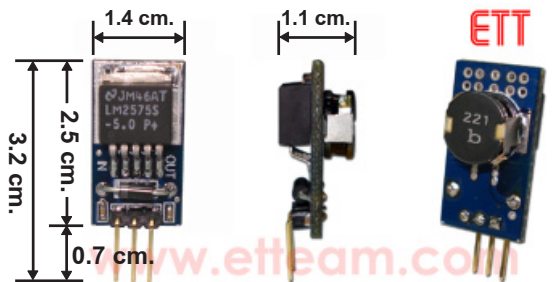
INPUT VOLTAGE : 15 - 40VDC OUTPUT : 12VDC/1A

ET-LM2575-3.3

INPUT VOLTAGE : 5 - 40VDC OUTPUT : 3.3VDC/1A

ET-LM2575-5 V2 (P-ET-A-00337)**ET-LM2575-12 V2** (P-ET-A-00338)**ET-LM2575-3.3 V2** (P-ET-A-00444)

It is a small circuit STEP DOWN VOLTAGE REGULATOR (1.4 x 2.4 x 1.1 cm.); it can replace IC 7805 directly by using LM2575-X. Moreover, it can be used with INPUT VOLTAGE without any HEAT SINK. There are 2 versions: version 5V (ET-LM2575-5 V2) and version 12V (ET-LM2575-12 V2) and version 3.3V (ET-LM2575-3.3 V2)

**NEW SWITCHING ADAPTER****ET-LM2575-5 V2**

INPUT VOLTAGE : 7 - 15VDC OUTPUT : 5VDC/1A

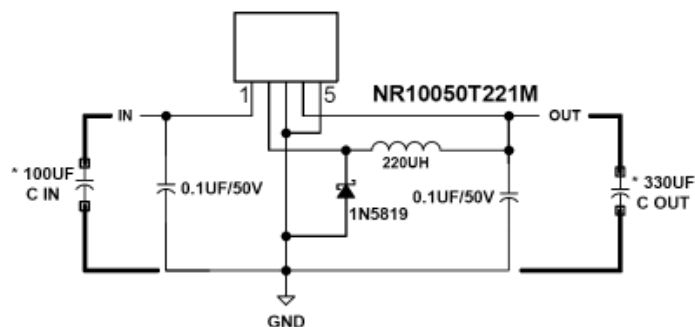
ET-LM2575-12 V2

INPUT VOLTAGE : 14 - 24VDC OUTPUT : 12VDC/1A

ET-LM2575-3.3 V2

INPUT VOLTAGE : 5 - 24VDC OUTPUT : 3.3VDC/1A

LM2575-5 OR 12 OR 3.3

**ET-POWER 5** (P-ET-A-00055)

Small +5VDC / 1A POWER SUPPLY is uses IC 7805 with 1N4001 Circuit and C 220uF Circuit. Be able to connect with AC 9 VAC and install on a large HEAT SINK. It is suitable for mini project work.

- POWER SUPPLY OUTPUT BOARD +5VDC 1000 mA MAX
- SIZE 7.5 x 4 x 4 CM.

BL-2000K

LASER SCANNER WITH STAND PS2 INTERFACE

(C-YA-A-00083)

**General**

Interface	Keyboard Wedge PS2
Supported Symbologies	UPC-A/UPC-E, EA N-13, Codabar, Code 11, Code 39, Code 128, Telepen Code, RSS Code Industriel 2 of 5, MSI Plessey Code, EAN/UCC 128, IATA Code, China Postal Code

Optical

Optical sensors	Photo diode
Width of Field	120 mm
Light source	Laser diode (650 nm)
Depth of Field	30 ~ 250 mm (UPC/EAN PCS=90%)
Resolution	0.1 mm (PCS=90%)
Ambient Light	3000 Lux/Max (Fluorescent Light)
Scanning contrast gradient	=> 45%
Scanning angle	36° ± 2°

Electrical

Power Supply Voltage	5VDC ± 5%
Working currents	135 mA
Standby currents	65 mA
Readind indicator	Beeper and Led
Scan Rate	90 scan/sec

Environment

Temperature in operation	0° C ~ 50° C
Temperature in storage	-20° C ~ +60° C
Humidity in operation	20%RH ~85%RH
Humidity in storage	10%rh ~ 90%RH
Safety Approval	CE, FCC Class B, RoHS Approved

Physical

Housing Material	ABS plastic
Cable length	1.5 M
Connector	RJ45 Phone jack connector 10 pins
Weight scanner	220 g ± 5 g (with Cable)
Dimensions	160 mm (L) x 70 mm (W) x 80 mm (H)
Shock resistance	Approved by 1.5M drop test onto concrete ground

